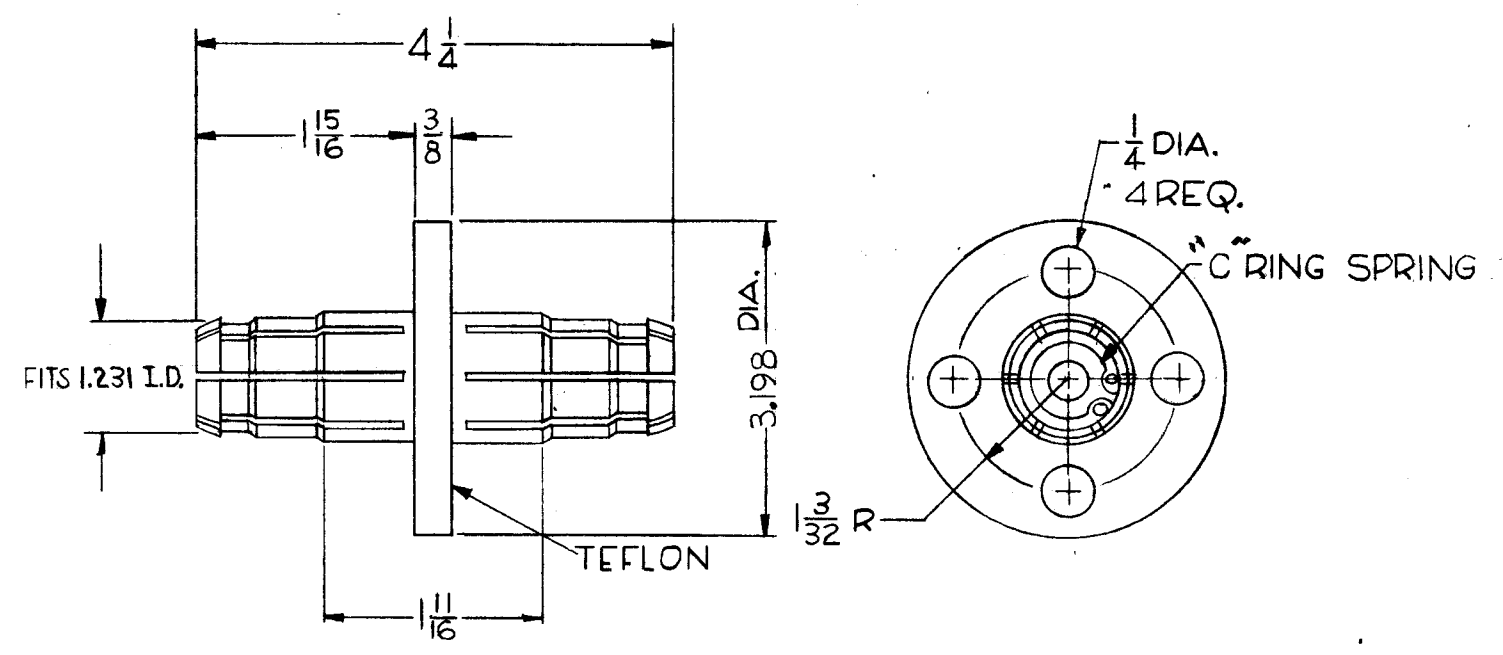


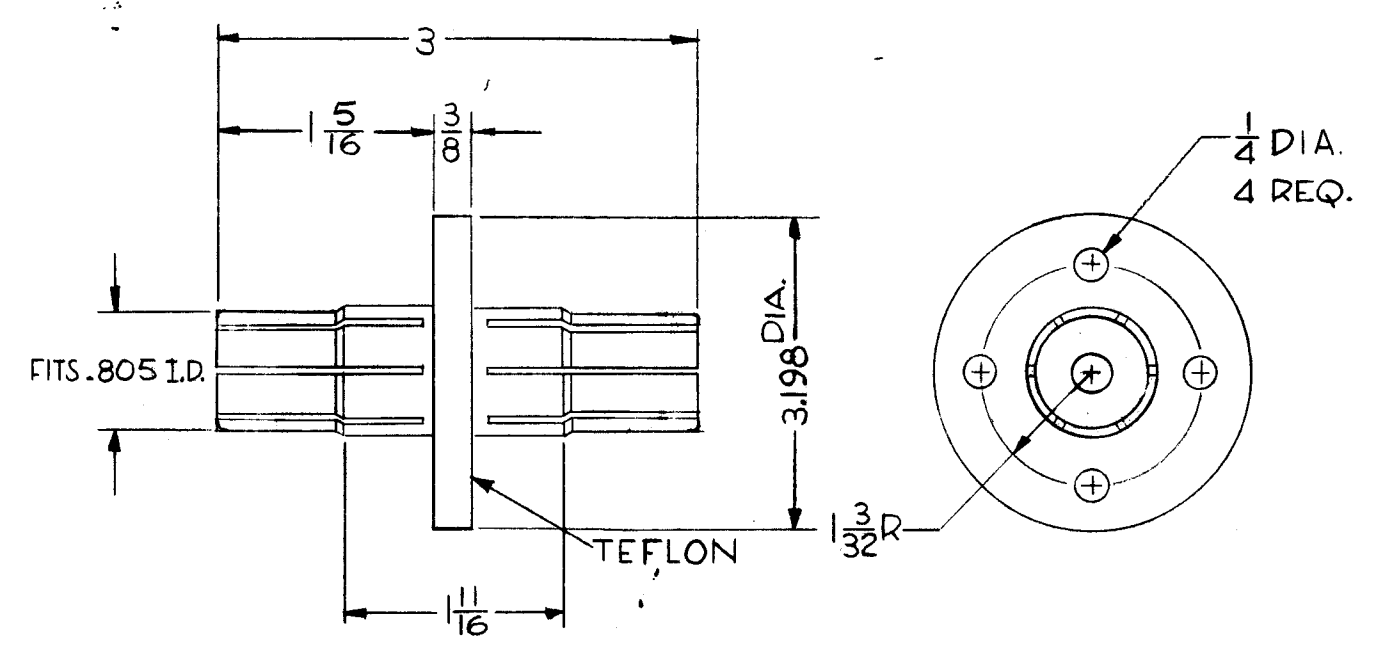
C  
PO-210

THE CONTENTS OF THIS DRAWING ARE THE EXCLUSIVE PROPERTY OF THE TECHNICAL MATERIEL CORP. ITS UNAUTHORIZED USE OR REPRODUCTION IN WHOLE OR IN PART IS STRICTLY FORBIDDEN.

TMC PART NO.	IMPEDANCE	MFR. PART NO.
PO-210-50	50 OHMS	15093A
PO-210-70	75 OHMS	24444



PO-210-50



PO-210-70

C	MFR. PART NO ADDED, 75 OHM WAS 70 OHM (CHART) 1/4 DIA WAS 1/2; MATERIAL WAS BRASS (50)	7-13-62	6912	JG	JCF	
B	Redrawn & Revised; 70 Ohm Version Added	1-18-62	6101	IG	JCF	amw
SYM	DESCRIPTION	DATE	CH. NO.	DRAFTS	CHECKER	ENG. APP.

UNLESS OTHERWISE SPECIFIED:  
DIMENSIONS ARE IN INCHES  
TOLERANCES ON FRACTIONS  $\pm 1/64$  DECIMALS  $\pm .005$  ANGLES  $\pm 1/20$

SCALE: 5401-31

MAXIMUM ALLOWABLE TOLERANCES HAVE BEEN DETERMINED AND ANY DEVIATIONS WILL BE CAUSE FOR REJECTION.  
REMOVE ALL BURRS AND SHARP EDGES

REQ. PER UNIT	TRC-5000	SECTION	ASS'Y. NO.	DATE
	MODEL			1-18-62
USED ON				

REQ.	ITEM	PART NO.	DESCRIPTION	SYMBOL
			THE TECHNICAL MATERIEL CORP. MAMARONECK, NEW YORK	
		STOCK SIZE		
		PHOSPHOR BRONZE	CONNECTOR, ELECTRICAL	
		MATERIAL	3-1/8 EIA INNER	
			E. J.	
		TYPE & TEMPER	DRAWN	CHECKED
		NICKEL PLATE	JCF	JCF
		FINISH & SPEC. NO.	ELEC. DES. APP.	MECH. DES. APP.
				PO-210 C