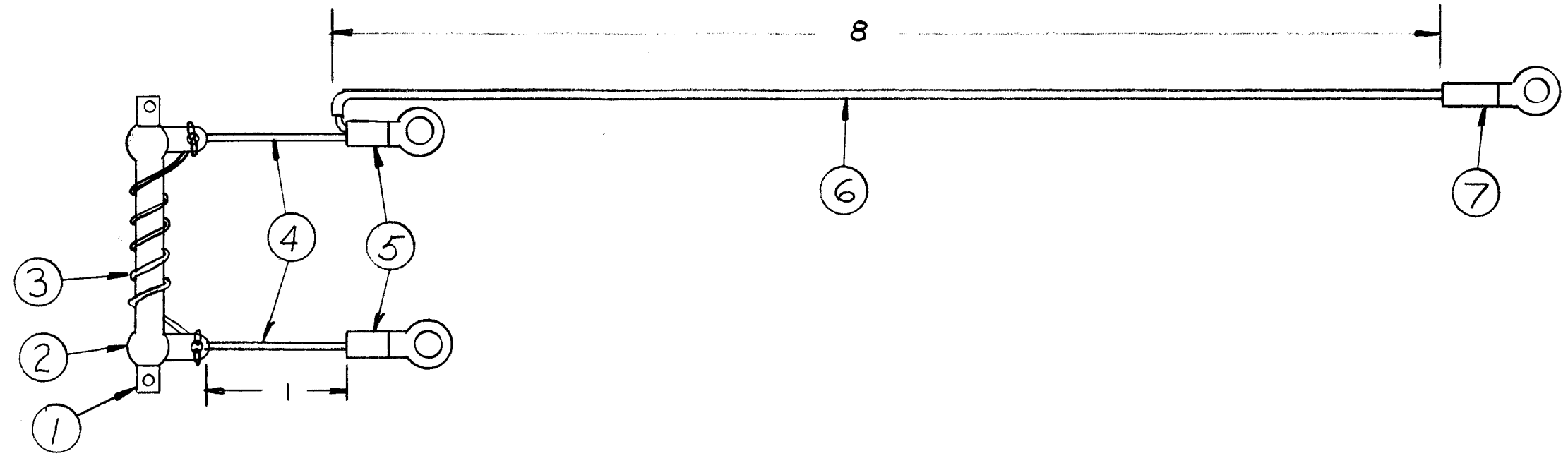


REVISIONS							
ZONE	LTR	DESCRIPTION	DATE	E.M.N.NO	DRAFT	CHKD	APPD
	Ø	ORIGINAL RELEASE	3/15/71		W		P.E.H.



WIND 5 TURNS OF IT3 ON IT2.
 COAT AS'Y WITH IT.9 AFTER COMPLETION.
 BAKE AT 270° FOR 1/2 HR.

REQ'D	ITEM	PART NUMBER	DESCRIPTION	SYM.
	10			
	9	GL104-2	INSULEX, UBS	
	8	BS100	SOLDER, TIN ALLOY	
	7	TE155-34170	TERM LUG	
	6	HWC14(19)U0	WIRE, INS	
2	5	TE141-3	TERM LUG	
	4	WL100-6	WIRE, ELEC, BUSS	
	3	WI125-7	WIRE, CEROC, (HI-TEMP)	
1	2	RW109-2B	RES, FXD, WW	
2	1	CU164-1	RET, RES	

BUDETTI LIST OF MATERIAL					
FINAL APPROVAL	DATE	THE TECHNICAL MATERIEL CORP. MAMARONECK, NEW YORK SHUNT, CIRCUIT BKR 230 VAC			
MECH. DES.	DATE				
ELECT. DES.	DATE				
CHECKED	DATE				
DRAWN	DATE	SIZE	CODE IDENT. NO.	DWG NO.	ISSUE
		B	82679	AR195	Ø
SCALE		SHEET		OF	

QTY / UNIT	MODEL USED ON	ASS'Y NO.
2	APP-1B	A4845
APPLICATION		
	CODE	

NOTICE TO PERSONS RECEIVING THIS DRAWING
 THE TECHNICAL MATERIEL CORPORATION claims proprietary right in the material disclosed hereon. This drawing is issued in confidence for engineering information only and may not be reproduced or used to manufacture anything shown hereon without permission from THE TECHNICAL MATERIEL CORPORATION to the user. This drawing is loaned for mutual assistance and is subject to recall at any time.

UNLESS OTHERWISE SPECIFIED DIMENSIONS ARE IN INCHES AND INCLUDE CHEMICALLY APPLIED OR PLATED FINISHES	
DECIMALS	FRACTIONS
.X ± .05	1/64
.XX ± .01	TOLS. ANGLES
.XXX ± .005	0° -30'
MATERIAL	
FINISH	